

# AAMSI

Associated Aircraft Manufacturing & Sales, Inc.

First Aviation Services Inc.®



## Company Overview

FEBRUARY 2023



# Organization Structure

## First Aviation Services Inc.\*

Westport, CT | USA | +1 203.291.3300 | firstaviation.com | CAGE: 61MZZ



**Aerospace**  
TURBINE ROTABLES, INC.  
Wichita, KS & Addison, TX | USA  
+1 316.943.6100 | turbinerotables.com | CAGE: 4PEE3



**AVIATION BLADE**  
SERVICES, INC.  
Kissimmee, FL | USA  
+1 407.846.6780 | absblade.com | CAGE: 1EKF5



**Evolution AEROSPACE, INC.\***  
Nevada | USA  
+1 316.529.7878 | evolutionpma.com | CAGE: 7MLY5



**PIEDMONT**  
PROPULSION SYSTEMS, LLC  
Winston-Salem, NC | USA  
+1 336.776.6260 | piedmontpropulsion.com | CAGE: 5TJN7



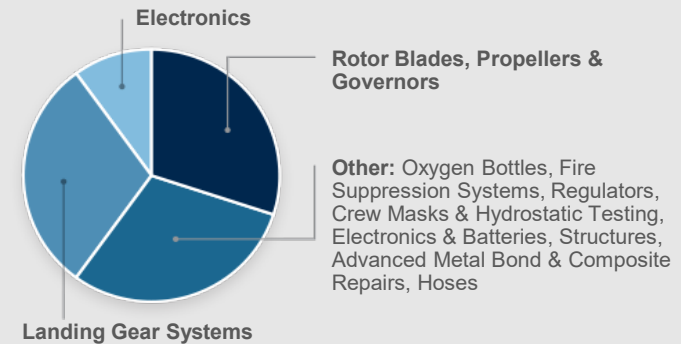
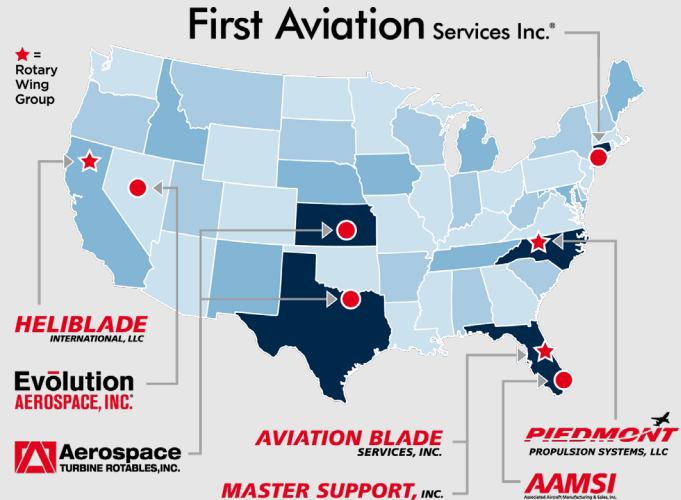
**HELIBLADE**  
INTERNATIONAL, LLC  
Anderson, CA | USA  
+1 530.365.1278 | helibladeintl.com | CAGE: 9ASJ8



**AAMSI**  
Associated Aircraft Manufacturing & Sales, Inc.  
Fort Lauderdale FL | USA  
+1 954.772.6606 | aamsi.com | CAGE: 56540

100%  
Ownership:

Affiliate:





- **Established in 1953**
- **Headquartered in Ft. Lauderdale, FL, USA**
- **Approx. 50 employees on location**

- **Specializing in Sustainment Solutions:**
  - » Engineering & Manufacturing
  - » Maintenance, Repair & Overhaul (MRO)
  - » Logistics Support Services
- **Markets served:**
  - » US-manufactured legacy defense aircraft
  - » Domestic & Foreign Operators & Aircraft Overhaul Centers

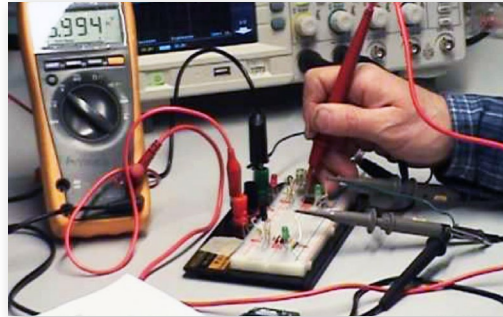
- **Registered Small Business (Cage Code 56540)**
  - » NAICS Codes: 332510, 334220, 334418, 334419, 334511, 334515, 336413, 423860





## **STRUCTURAL PARTS MANUFACTURING**

**Machining of Highly  
Engineered Parts**  
**Build to Print/Build to Spec**  
**Reverse Engineering**  
**Specialize in hard to find  
or “no quote” parts**



## **ELECTRONIC MANUFACTURING & REPAIR**

**Legacy Avionics**  
**Teardown, Test & Evaluation**  
**Repair & Overhaul**  
**Electronic Manufacturing**



## **LOGISTICS SUPPORT SERVICES**

**Hydraulic Repair and Testing**  
**Supply Sourcing**  
**Repair Management**  
**Inventory Holdings**  
**Obsolescence & DMSMS  
Identification & Mitigation**

- » ISO 9001:20015 AS9100 Rev. D AS9110 Rev. C and FAA AC-0056B Certified
- » Licensed by Boeing on over 7,000 Structural & Landing Gear parts for F/A-18, F-15, F-4, CH-47 & KC-135
- » Licensed by Northrop Grumman to Manufacture & Repair Identification Friend or Foe (IFF) systems
- » Licensed by Honeywell to service Beam Forming Network (BFN) Antennas in the F-16
- » Lockheed Martin approved supplier for P-3 (Appendix 2 supplier)
- » International Traffic in Arms Regulation/Export Administration Regulations (ITAR/EAR) compliant



## Boeing-Licensed Platforms:



F/A-18



F-15



F-4



CH-47



KC-135

## Other Platforms Supported:



C-130



F-16



P-3



UH-60



## Customer Base

### Countries:

- US Government
- Canada
- United Kingdom
- Spain
- Portugal
- Finland
- Switzerland
- Turkey
- Saudi Arabia
- Pakistan
- Netherlands
- Jordan
- United Arab Emirates
- Israel
- South Korea
- Japan
- Malaysia
- Thailand
- Australia
- Belgium
- Taiwan

### Companies:

- Boeing
- Lockheed Martin
- Northrop Grumman
- Heroux Devtek
- Vertex Aerospace



## Quality & Compliance

- **Quality Management System (QMS)**

- » ISO9001:2008 + AS9100D
- » AS9110C & AC0056B added (July 2019)
- » Boeing, Lockheed Martin & Northrop Grumman approved



- **International Traffic in Arms Regulations (ITAR)**

- » Registered with the US Departments of State & Commerce
- » Dedicated Trade Compliance position
  - Professionally trained US Export Compliance; ITAR; EAR; and Ethics in Trade Compliance, Audits & Agreements
- » Seamless compliance, integrated into processes & workflow



**100% Compliant with NO DISCREPANCIES to date**



# STRUCTURAL PARTS MANUFACTURING





## Engineering & Manufacturing

- **Specialize in structural & landing gear components & assemblies**

- » Licensed by The Boeing Company



- » Focus on complex CSI Critical Safety Items

- **Capabilities include:**

- » Build-to-Print

- » Build-to-Specification

- » Reverse Engineering

- » Repair & Refurbishment

- » Product Qualification

- » Subcontract Management

- » ***Loft Data Interpretation & Modeling***

- **Obsolescence Identification & Mitigation**

- » OEM License Agreements

- » Outright Purchase of IP

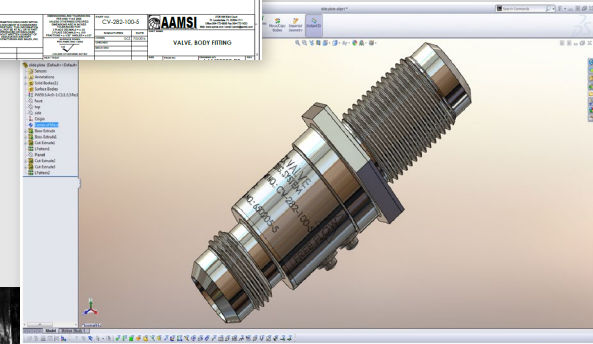
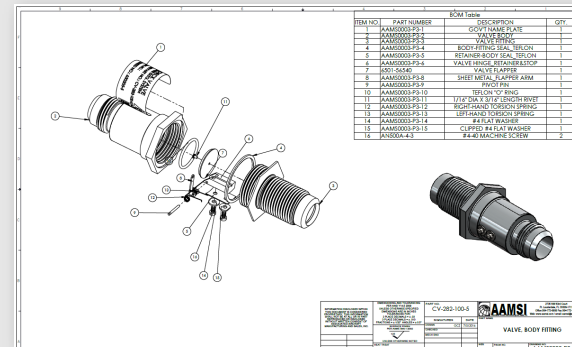
- » Tooling Investments





# Engineering & Manufacturing

- Teardown, Dimension & Model
- Top-Level & Detail Drawings
- Material testing & analysis
- CNC Programming
- Machining, Material Processing & Assembly
- Qualification/Production Testing





## Engineering & Manufacturing

- Gear Assemblies
- Landing Gear Assemblies
- Drive Roller Assemblies
- Metal Tube Assemblies
- Valve Bodies
- Linear Actuator Assemblies
- Support Assemblies
- Mounting Brackets
- Connecting Links & Assemblies
- Doublers
- Stiffeners
- Jettison Pivot Plates
- Shock Mount Assemblies
- Handle Assemblies
- Eye Bolt & Assemblies
- Rotary Actuator Assemblies
- Bell Cranks
- Hinge Assemblies
- Adapter Assemblies
- Covers
- Engine Mount Assemblies
- Shaft Assemblies
- Cylinder Sleeves
- Threaded Rod Ends
- Friction Clutch Assemblies
- Pistons
- Launch Bar Assemblies
- Structural Support Assemblies
- Door Assemblies
- Bushings
- Panels
- Housings
- Bearing Sleeves





# ELECTRONIC MANUFACTURING & REPAIR (EMR)





## Electronic Manufacturing & Repair (EMR)

- **Focus on legacy avionics components & assemblies**
  - » Licensed by Northrop Grumman Corporation and Honeywell Corporation
  - » Specialize in Identification Friend or Foe (IFF) systems
- **Capabilities:**
  - » Teardown, Test & Evaluation (TT&E)
  - » Repair & Overhaul
  - » Refurbishment
  - » Manufacturing
    - Build-to-Print
    - Reverse Engineering
- **Exchange Pools / Rotable Parts Programs available**



## Electronic Manufacturing & Repair (EMR)

- IFF Systems
- Data-Link Systems
- Interphone Systems
- Navigation Systems
- Radar Altimeter Systems
- Receivers
- Transmitters
- Transponders
- Cable Assemblies
- Circuit Card Assemblies
- Altimeters
- Radios
- Power Supplies
- Switches
- Relay Assemblies
- Junction Boxes
- Blanker Units
- Amplifiers
- Antennas
- Control Panels





# LOGISTICS SUPPORT SERVICES



## Logistics Services: In House MRO Capability including Repair Administration & Management

- Single point of contact for repairs
- Best value repair solutions
- Leveraging:
  - » In-house repair capability
    - Electronics & hydraulics
  - » OEM/Repair Center relationships
  - » Inventory holdings
    - Reduce TAT for long-lead items
    - Obsolescence – lifetime buys
  - » Warranty management



- **Hydraulics**
- **Pneumatics**
- **Fuels**
- **Landing Gear**
- **Wheels & Brakes**
- **Auxiliary Power Units**
- **Avionics**





## Logistics Services

- Supply Chain Management
- Extensive network of suppliers
- Inventory Holdings
  - » Forward Supply Points
  - » Protected Inventory
- Global Sales & Marketing
- Technical & Platform Expertise
- Export Compliance
- Excess Inventory Solutions
  - » Virtual Warehousing
  - » Consignment
  - » Acquisition/Outright Buy





# SERVICE WITH INTEGRITY



## WHY CHOOSE US?

Highly Experienced &  
**Professionally Trained**  
Technical Personnel

Small Business,  
**Competitive Pricing**

**Strong focus** on Quality  
& Customer Service

**Extensive Organic Capabilities**

**Complete** Supply Chain &  
Repair Management Support

**Wide Range** of Supplier/  
Vendor Relationships

**Seamless** Export  
Compliance (ITAR)

Responsiveness, Flexibility,  
**Personalized Service**

**AAMSI**  
Associated Aircraft Manufacturing & Sales, Inc.



**Thank You.**

**+1 954.772.6606 | [aamsi.com](http://aamsi.com)**